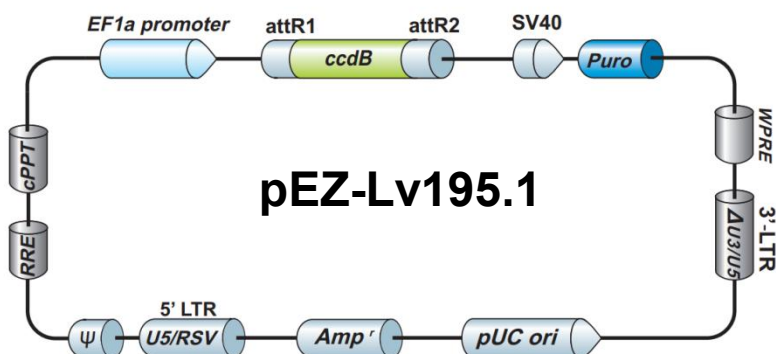


EZShuttle™ Recombination Cloning Expression Vector

pEZ-Lv195.1

9504 bp, circular



Vector Features

Name	Start	END
SV40 promoter	17	330
PuroR	410	1009
WPRE	1023	589
3'LTR (ΔU3)	1818	2051
pUC ori	2571	3156
AmpR	3327	4187
5' LTR	4831	5011
HIV-1 ψ	2058	2183
HIV-1 RRE	5684	5917
cPPT/CTS	6409	6524
EF-1α promoter	6629	7816
attR1	7813	7937
CmR	8046	8705
ccdB	9035	9340
attR2	9381	9504

Sequencing Primers

Primer	Sequence
Forward	5'-GAGGGGTTTTATGCGATG-3'
Reverse	5'-CTGGAATAGCTCAGAGGC-3'

GeneCopoeia, Inc.
9620 Medical Center Drive, #101
Rockville, MD 20850
Tel: 301-762-0888 Fax: 301-762-3888
Email: inquiry@genecopoeia.com Web: www.genecopoeia.com

GeneCopoeia products are for research use only

© 2020, GeneCopoeia, Inc